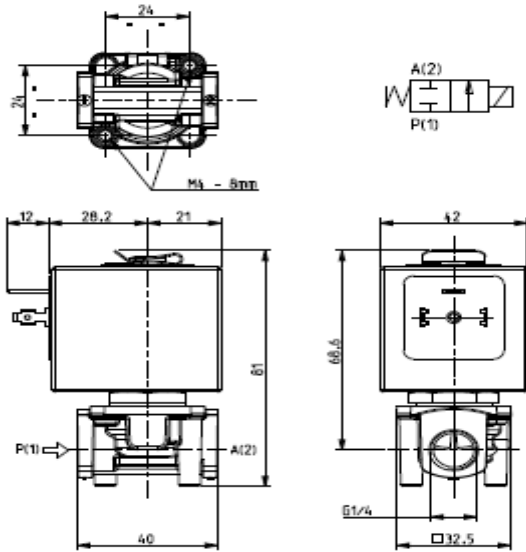




SOLENOID VALVE
2/2 - NC (Normally closed)
 Direct acting
G1/4

L159



► **GENERAL FEATURES**

Direct acting solenoid valve.
 Suitable to shut off liquid and gaseous fluids; particularly suitable to shut off overheated water and steam (verify the compatibility of fluid with materials in contact).

► **TECHNICAL FEATURES**

Maximum allowable pressure (PS) 40 bar
 Opening time ~30ms
 Closing time ~30ms
 Fluid temperature -10°C +170°C
 Max viscosity 5°E (~37 cStokes or mm²/s)

► **MATERIALS IN CONTACT WITH FLUID**

Body Brass
 Sealing Ruby
 Internal components Stainless steel
 Seat Stainless steel
 Core tube Stainless steel
 Shading coil Copper

► **COIL**

Continuous duty ED 100%
 Encapsulation material PET (polyethylene terephthalate) fiberglass reinforced
 Insulation class H (165°C) - UL
 Ambient temperature -10°C +80°C
 Electric connections DIN 46340 - 3 poles plug connector (EN175301-803)
 Protection degree IP 65 (EN 60529) with plug connector
 Voltages DC 12-24V (+10% -5%)
 AC 24V/50Hz - 110V/50Hz (120V/60Hz)
 230V/50Hz (+10% -15%)
 (Other voltages and frequencies on request).

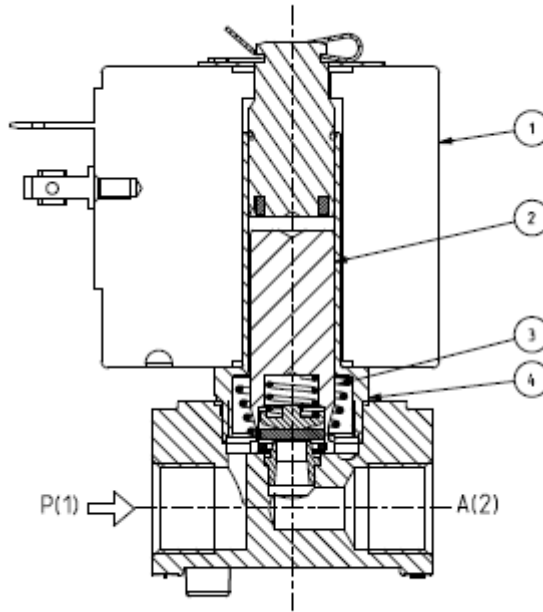
Port size ISO 228	Ø Int. (mm)	Differential pressure (bar)				Kv (m ³ /h)	Series and type		Power absorption			Sealings	Notes	Weight (kg)	
		Δp min	Δp max				Valve	Coil	AC (VA)		c.c. (W)				
			Gas		Liquids				Inrush	Holding					
			AC	DC	AC										DC
G 1/4	3	0	30	17	30	17	L159C05	Z134A	44	24	13	RUBY	1-2	0,500	
	4,5		12	4	12	4									

► **NOTES**

- Sealings : RUBY = Synthetic corundum
- The use of rigid sealings with gaseous fluids implies a slight leakage, generally limited within 2 scc/min. at 1 bar pressure
- 1 - Only for use with steam, consider following values: max pressure 8 bar (max temperature of fluid 170°).
- 2 - On request coil type Z130A (PET Polyethylene terephthalate) class "F" (+140°C), maximum ambient temperature +60°C.

L159

► SPARE PARTS



Kit description

Core kit

Kit P.N.

G2877401

Consisting of:

Core (with core return spring) pos. 2

Core return spring kit

G2866801

N.10 core return spring pos. 3

Guide assembly kit

G31527

Guide assembly pos. 4
Coil clip

Coil Z134A

Coil pos. 1

► INSTALLATION

Solenoid valve can be mounted in any position; vertical with coil upwards preferred.