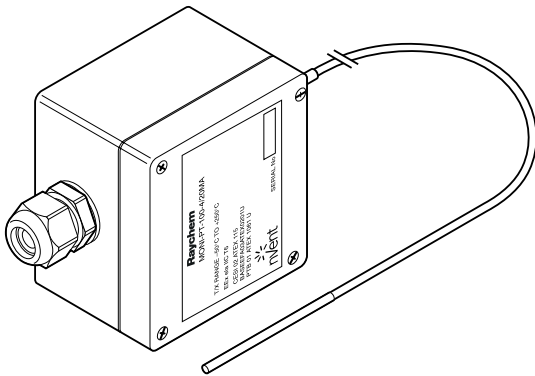


MONI-PT100-4/20MA



RAYCHEM

3 WIRE PT 100 SENSOR WITH 4 TO 20 MA TRANSMITTER FOR HAZARDOUS AREA

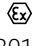

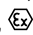


nVent RAYCHEM Pt 100 sensor connected to a 4-20 mA transmitter built in a black glass fiber reinforced polyester junction box with M20 cable gland (Blue).

AREA OF USE

Hazardous environment Zone I

APPROVALS

CESI 02 ATEX 115,  II 1G EEx eia IIC T6 **CE** 0722
Baseefa03ATEX0201U,  II 2G EEx eII **CE** 1180
PTB 01 ATEX 1061U,  II 2G EEx eII T6 **CE** 0123



TC RU C-BE.ИМ43.В.01764
ООО "ТехИмпорт"
1Ex e IIC T6 Gb
Ex tb IIIC T85°C Db
IP66 Ta -40°C...+60°C
Made in GB

SENSOR

Type	Pt 100 (3 wire) DIN IEC 751, Class B.
Material	extension cable and tip both stainless steel (MI).
Temperature measuring range:	-50°C to +250°C (transmitter)
Maximum exposure temp. tip	+585°C
Length	2 m
Diameter	ca 3 mm
Minimum bending radius	extension cable: 20 mm, the measuring tip should not be bent

ENCLOSURE

Ingress protection	IP66
Material	Glass fiber reinforced polyester (black)
Dimensions	Width = 80 mm Height = 75 mm Depth = 55 mm
Cable gland	M20, blue (EEx e) suitable for cable diameters ranging from 10 mm to 14 mm
Operating temperature	-20°C to +55°C
Sealing gasket material	tongue and groove system with silicone seal
Cover screws	Stainless steel M4 threaded
For pipe mounting use	JB-SB-26

INSTALLATION AND CONNECTION

Terminals	2 screw terminals
Terminal sizing	suitable for cables from 0.5 mm ² to 1.5 mm ²

ORDERING DETAILS

Part Description	MONI-PT100-4/20MA
PN (Weight)	704058-000 (0.46 kg)

North America

Tel +1.800.545.6258
Fax +1.800.527.5703
thermal.info@nVent.com

Europe, Middle East, Africa

Tel +32.16.213.502
Fax +32.16.213.604
thermal.info@nVent.com

Asia Pacific

Tel +86.21.2412.1688
Fax +86.21.5426.3167
cn.thermal.info@nVent.com

Latin America

Tel +1.713.868.4800
Fax +1.713.868.2333
thermal.info@nVent.com



nVent.com

Our powerful portfolio of brands:

CADDY ERICO HOFFMAN RAYCHEM SCHROFF TRACER