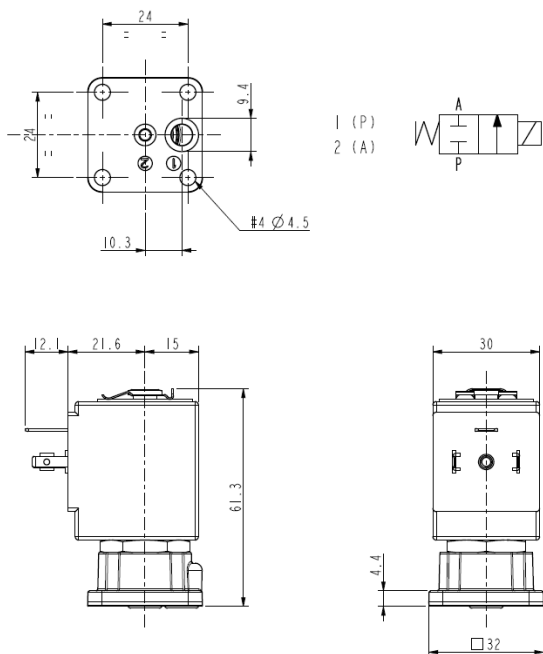




SOLENOID VALVE
2/2 - NC (Normally closed)
 Direct acting
 Sub-base mounting

L134N05



► **GENERAL FEATURES**

Direct acting solenoid valve, designed for sub-base mounting or directly on the equipment.
 Inlet and outlet ports placed asymmetrically at the bottom of the body.
 Valve delivered with sealing O-rings.
 Suitable to shut off liquid and gaseous fluids, particularly suitable to shut off refrigerating fluids (verify the compatibility of fluid with materials in contact).

► **TECHNICAL FEATURES**

Maximum allowable pressure (PS) 40 bar
Opening time ~20ms
Closing time ~20ms
Fluid temperature -10°C +90°C
Max viscosity 5°E (~37 cStokes or mm²/s)

► **MATERIALS IN CONTACT WITH FLUID**

Body Brass
Sealing CR70N
Internal components Stainless steel
Seat Brass
Core tube Stainless steel
Shading coil Copper

► **COIL**

Approval UL (class F) – for UL cl.H: ZA34
Continuous duty ED 100%
Encapsulation material PPS (Polyphenilsulfure) fiberglass reinforced
Insulation class F (155°C) on request class H (180°C)
Ambient temperature -10°C +50°C
Electric connections DIN 46340 - 3 poles plug connector (EN175301-803)
Protection degree IP 67 (EN 60529) with plug connector
Voltages DC 12-24V (+10% -5%)
AC 24V/50Hz-110V/50Hz (120V/60Hz)-230V/50Hz (+10% -15%)
 (Other voltages and frequencies on request)

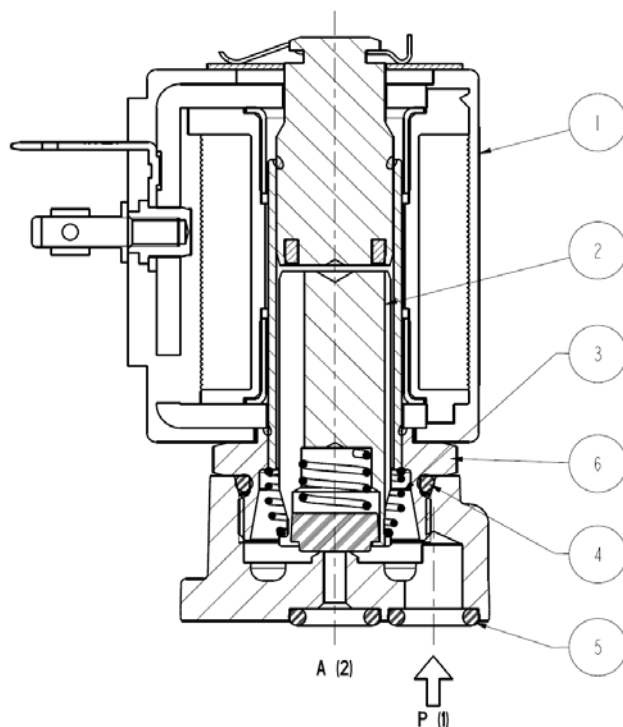
Port size	Orifice size (mm)	Differential pressure (bar)						Kv (m ³ /h)	Series and type		Power absorption			Sealings	Notes	Weight (kg)
		Δp min	Δp max				Valve		Coil	AC (VA)		DC (W)				
			Gases		Liquids					Inrush	Holding					
			AC	DC	AC	DC										
-	3	0	20	15	20	15	0,18	L134N05	ZA10A	23	14	9	CR70N	-	0,240	

► **NOTES**

- Sealings : CR70N = Chloroprene elastomer
- IMQ CSV approval, see ZA10 datasheet for further details
- UL approved coil (E153691)

L134N05

► SPARE PARTS



Kit description

Kit P.N.

Consisting of:

Core kit	G3022805	Core pos. 2
Core return spring kit	G3022401	N. 10 core return spring pos. 3
OR guide assembly kit	GU2445000017	N.10 OR guide assembly pos. 4
OR body kit	GU2445000007	N.10 OR body pos.5
Guide assembly kit	G31486	Guide assembly pos.6 Coil clip
Coil	ZA10A	Coil pos. 1

► MOUNTING

Solenoid valve can be mounted in any position; vertical with coil upwards preferred.

THE VALIDITY OF REPORTED DATA IS REFERRED TO THE DATE OF ISSUE. POSSIBLE UPDATES ARE AVAILABLE ON REQUEST.