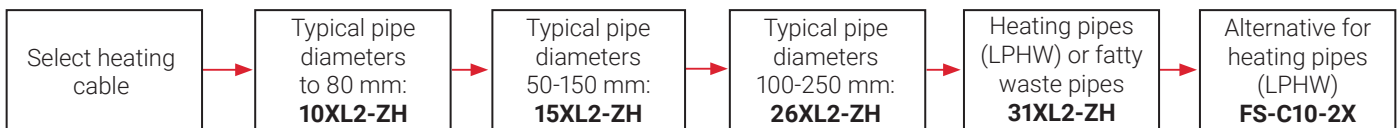
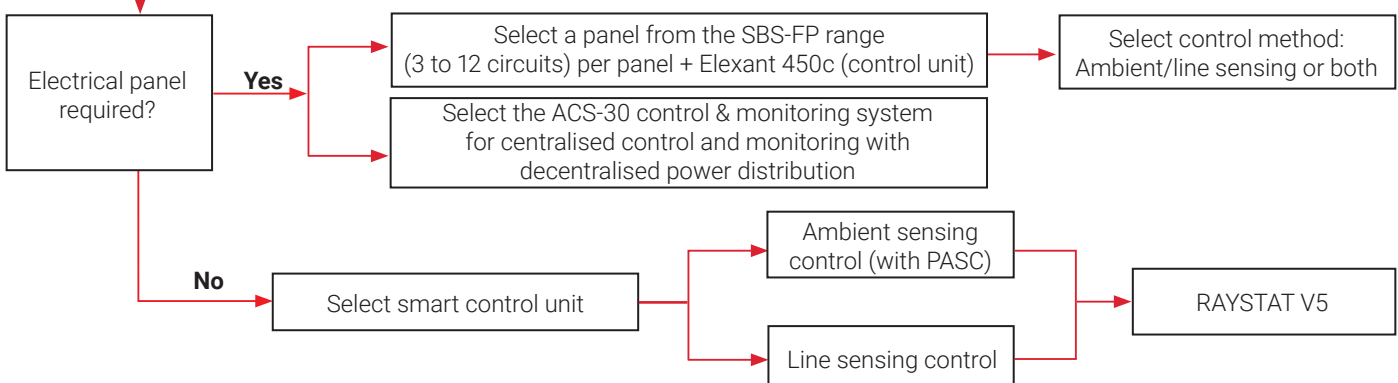
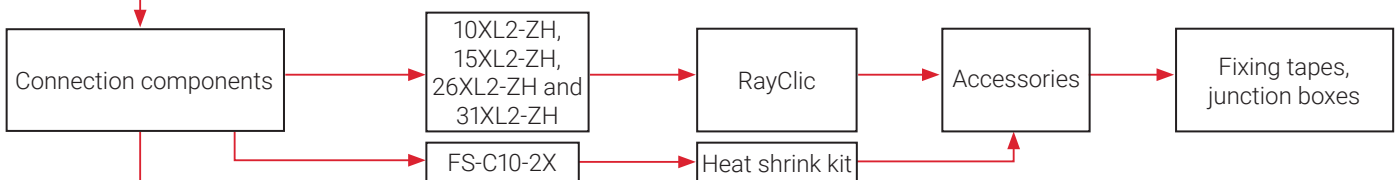
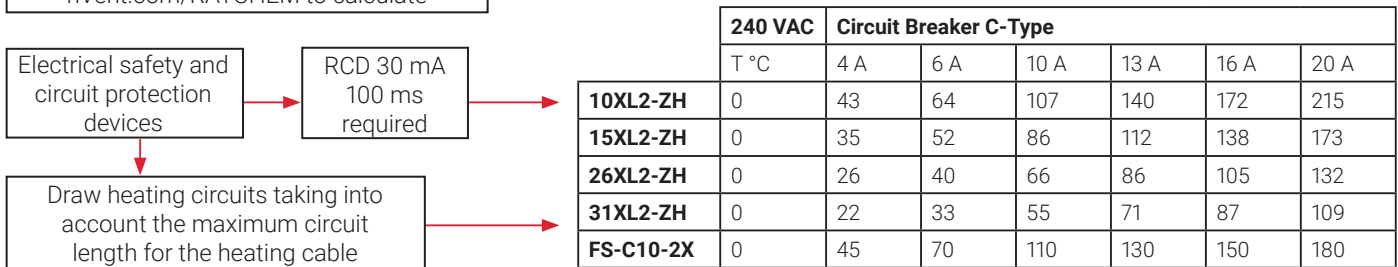
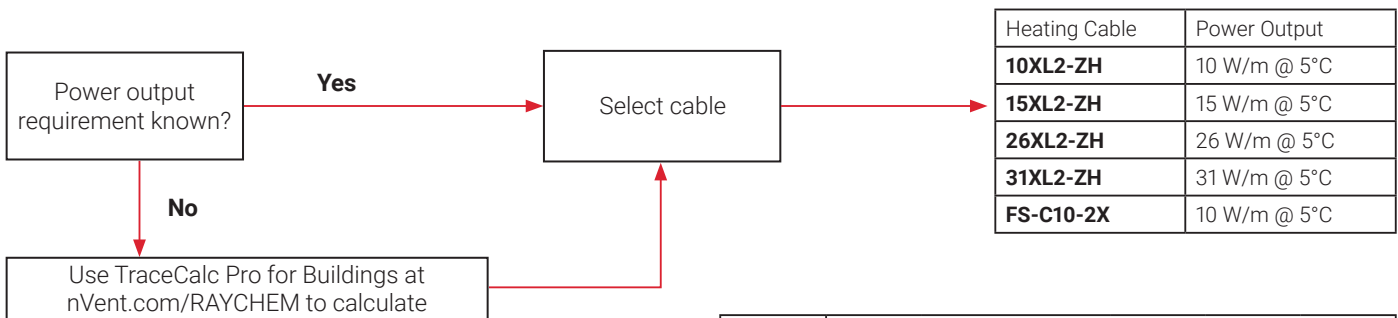


CONNECT AND PROTECT

Design overview: pipe freeze protection and flow maintenance of greasy waste water



* Note: The exact power loss from the pipe can be calculated using TraceCalc Pro for Buildings. Pipe heat loss is influenced by other factors including pipe material, insulation type and thickness, as well as ambient temperature.



United Kingdom

Tel 0800 969 013
Fax 0800 968 624
salesthermalUK@nVent.com

India - Noida

Tel +91 120 464 9500
Fax +91 120 464 9548
ntminfome@nVent.com

Ireland

Tel 1800 654 241
Fax 1800 654 240
salesIE@nVent.com

India - Mumbai

Tel +91 22 6775 8800/01
Fax +91 22 2556 1491
ntminfome@nVent.com

Australia

Tel +61 2 97920250
Fax +61 2 97745931

UAE

Tel +971 4 378 1700
Fax +971 4 378 1777
ntminfome@nVent.com

South East Asia

Tel +65 67685800
Fax +65 67322263



Our powerful portfolio of brands:

CADDY ERICO HOFFMAN RAYCHEM SCHROFF TRACER