

# 区域传感器系列

Area Sensor series

# 区域传感器介绍

## Presentation and principle of Area sensor

区域传感器是一种多用途自动控制产品，运用红外线扫描技术。发射装置和接收装置安装于两侧，内部由电子电路构成，使红外线收发单元在高速扫描状态下，形成警戒屏障，当人和物体进入该区域内，控制系统迅速转换输出电平信号，使负载动作，当人和物体离开该区域，则负载自动关闭，从而达到测量的目的，该产品广泛应用于电梯,高速公路,物体检测,锻压机械,塑料机械等区域控制行业。

Area sensor is widely applied autocontrol product whith adopts infrared ray scan technology. Fix the emmitter on one side and the receiver on the other side. When the infrared ray scans with high speed, it will form a curtian. When there is any object or person come into this curtian area, the control system will output a signal and the load works. But when the object or person leaves curtian area the load will be off automatically. Light curtain can be uesd in highway , machinery equipments, subway, automaitic gete.

**注意!!!** 本传感器与安全性无关，不能做为冲压安全装置或其它人身安全保护装置使用，主要应用于工件计数，定位等检测用途。

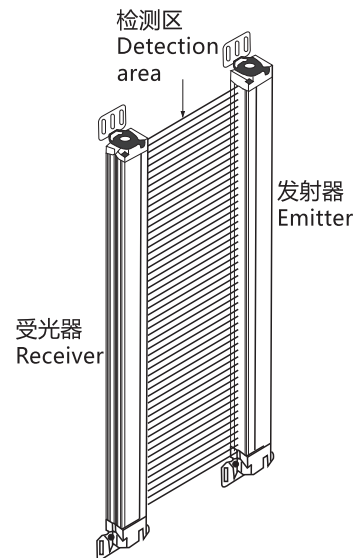
Warning: Do not use photo electronic sensor for dangerous machines, as it is not a kind of safety protection device .They are mostly applied for counting and positioning.

### ●注意事项

- 1.请勿在有易燃，易爆气体的环境下使用
- 2.请勿擅自拆卸，修理，改造本产品。
- 3.使用时请勿超出额定电压范围，否则可能引起产品破裂或烧毁
- 4.请使用在额定范围内的负载，超载可能使产品无法工作或烧毁
- 5.请勿让开关负载短路，以免引起产品破裂或烧毁
- 6.请注意工作电源的极性，勿接错线，否则可能引起产品破裂或烧毁

### ●Note

1. Please do not use the unit in flammable and explosive gas areas
2. Not any repair, disassembling and modification without a qualified person is allowed
3. Be sure the input is within the rated supply voltage .Or there might be damages like crack, burn-out
4. Please use the rated load over loads may cause product damage
5. Please do not let loading short-circuit, for fear that cause product damage
6. Pay attention to power supply polarity ,do not make mistake. Otherwise may cause product damage



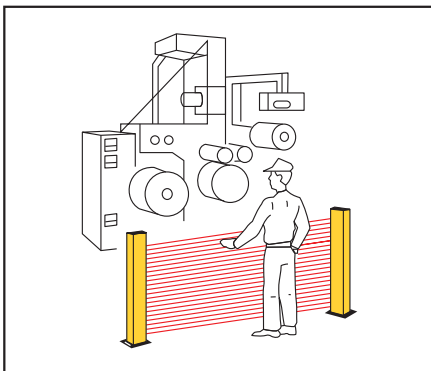
旋转编码器  
Rotary encoder

接近传感器  
Proximity sensor

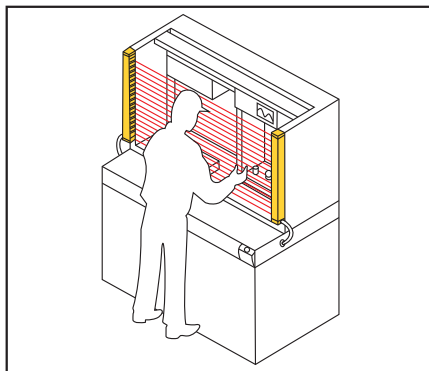
光电传感器  
Photoelectric sensor

区域传感器  
Area Sensor

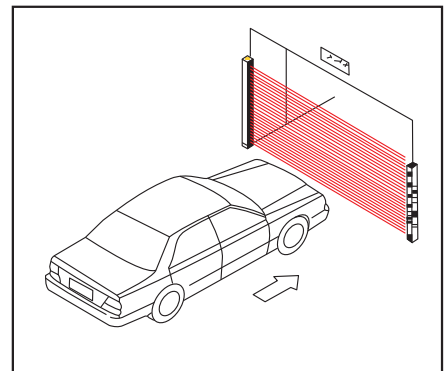
### ► 应用示例 Application



自动装配线入侵检测  
Automatic assembly line  
intrusion detection

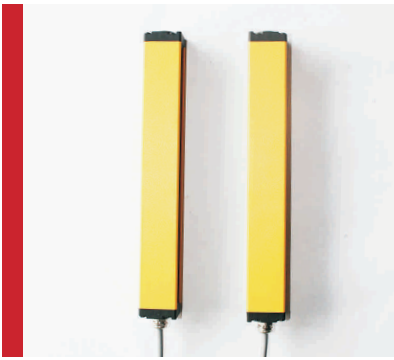


机械加工区域屏蔽  
Shielding of machined area



汽车通过监测  
Check the car through

# 区域传感器SL系列 Area sensor SL series



## 用途与特点 Application and features

抗干扰性能强  
光同步技术,安装快捷  
可定制户外抗光型产品

Anti-interference strength  
Optical synchronization technology, quick installation  
Customizable outdoor light resistant products

### ► 型号说明 Model Explanation

S	L	-35	T6	N	-□	-□
基本型号Model S:常规圆柱形 Cylindrical proximity sensor S□: 特殊型号定义 Special definition	传感器类别: L:区域传感器 Area Sensor	光轴间距 Optical axis spacing: 35:35mm	光轴数 Number of beams : 4:4个 6:6个 12:12个 18:18个 24:24个等	输出方式Output configuration : N:NPN输出 DC 3-wire,NPN P:PNP输出 DC 3-wire,PNP M:继电器输出 Relay DC 5-wire	线缆长度 Cable length (标配2米 Standard Cable length is 2m) 5 : 5m	客户定制 Customized informat

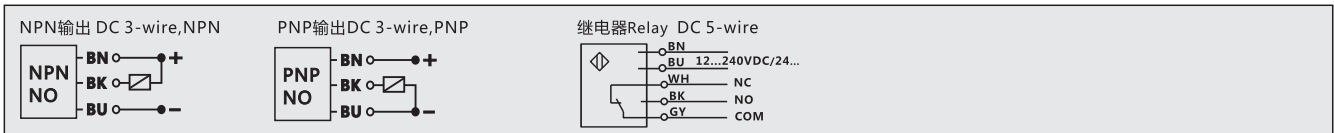
### ► 产品种类 Product Category

型号 Model	形状 Appearance	检测距离 Sensing distance	输出规格 Output configuration	连接方式 Connection mode
SL-35T6		3m	N:NPN输出 DC 3-wire,NPN P:PNP输出 DC 3-wire,PNP M:继电器输出 Relay DC 5-wire	导线引出/航插 Cable line/Plug

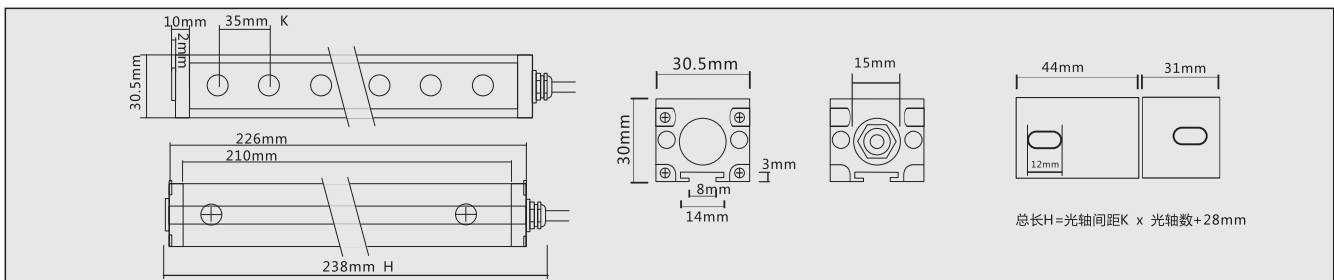
### ► 技术规格 Specification

型号Type	SL-35T6N/P/M
电源电压 Voltage	直流DC:10-30VDC/12-240V
检测距离 Sensing distance	3m
负载电流 Load current	<200mA
压降 Drop	<0.5V
消耗电流 Consumption of current	<100mA
重复精度 Repetition precisionload	<5%
光源 Light source	红外 LED(880nm)
输出 Output	NPN/PNP/
响应时间 Response time	15ms max.
输出/电源指示 Output/Power indication	红色LED Red LED / 绿色 Green LED
极性保护 Polarity protection	Yes
抗光干扰 Resist light interference	太阳光Sunlight:10000Lux
环境温度 Ambient temperature	动作时Operating:-10~+40°C,保存时Storage:-25~+55°C(不结冰with no icing)
环境湿度 Ambient humidity	工作时/保存时 Operating35~85%RH/Storage:35~95%RH(不结露with no condensation)
振动(耐久)Vibration resistance	10~55Hz复振幅1.5mmX, Y, Z各方向2h double amplitude for 2 hours each in X, Y and Z directions
冲击(耐久)Shock resistance	500m/s²X, Y, Z各方向10次 500m/s² 10 times each X, Y and Z directions
防护等级 Degree of protection	IEC IP64
外壳 Case	铝合金Aluminium alloy

### ► 电路输出方式(示例) Example for output circuit



### ► 安装尺寸图 Mounting Dimensions(单位Unit:mm)



旋转编码器  
Rotary encoder

接近传感器  
Proximity sensor

光电传感器  
Photoelectric sensor

区域传感器  
Area Sensor

**HNC**

**Sensor**

**世华电气技术有限公司**

HNC Electric Limited



**[www.hncelectric.com](http://www.hncelectric.com)**