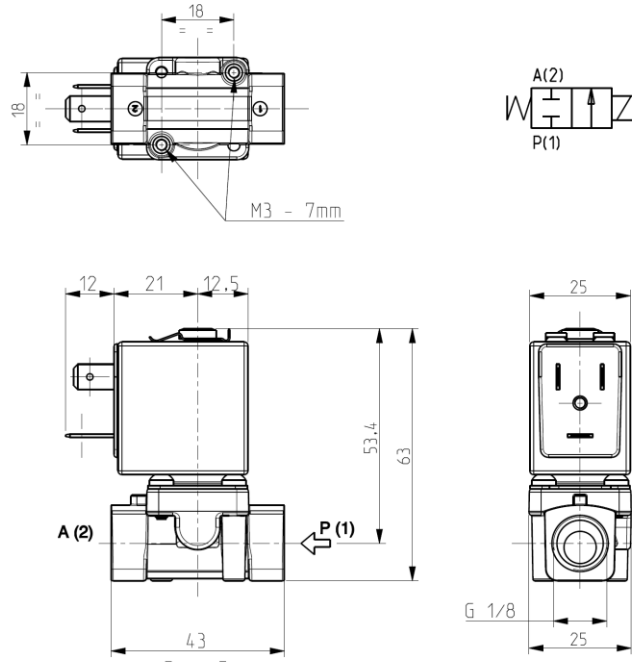




SOLENOID VALVE
2/2 - NC (Normally closed)
Direct acting
G 1/4

L171



► **GENERAL FEATURES**

Direct acting solenoid valve.
 Suitable to shut off liquid and gaseous fluids (verify the compatibility of fluid with material in contact)

► **TECHNICAL FEATURES**

Maximum allowable pressure (PS) 30bar
 Opening time from ~10ms to ~20ms
 Closing time from ~10ms to ~20ms
 Fluid temperature 0°C +130°C (FPM)
 -10°C +90°C (NBR)
 Max viscosity 5°E (~37 cStokes or mm²/s)

► **MATERIALS IN CONTACT WITH FLUID**

Body Brass
 Sealing FPM or NBR
 Internal components Stainless steel
 Seat Brass
 Core tube Stainless steel
 Shading coil Copper

► **COIL**

Continuous duty ED 100%
 Encapsulation material PET (polyethylene terephthalate) fibreglass reinforced
 Insulation class F(155°C) - on request class H (180°C) - UL
 Ambient temperature -10°C +60°C
 Electric connection DIN 46340 - 3 poles plug connectors
 Protection degree IP 65 (EN 60529) with plug connectors
 Voltages DC 12-24V (+10% -5%)
 AC 24V/50-60Hz - 110V/50-60Hz (120V/60Hz)
 230V/50-60Hz (+10% -15%)
 (Other voltages and frequencies on request)

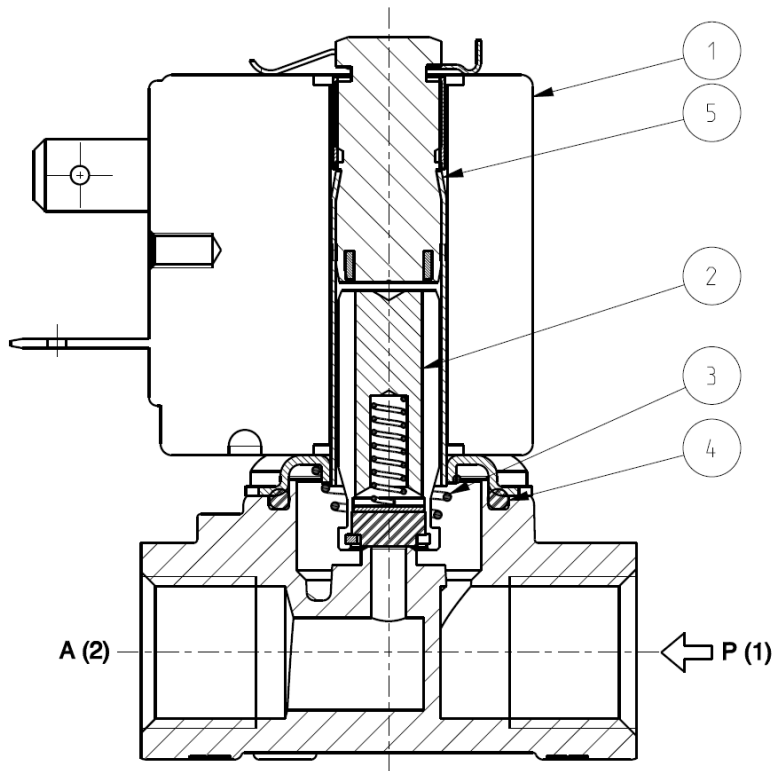
Port size ISO-228	Orifice size (mm)	Differential pressure (bar)				Kv (m ³ /h)	Series and type		Power absorption			Sealings	Notes	Weight (kg)	
		Δp min	Δp max				Valve	Coil	AC (VA)		DC (W)				
			Gases		Liquids				Inrush	Holding					
G 1/4	3	0	7		7		Z610A	16	10	-	NBR	-	0,200		
														4,5	2,5
	6		1		1										
														3	
	6			0,3		0,3									

► **NOTES**

- Sealings: FPM = Fluoro-carbon elastomer NBR = Nitrile-butylene elastomer

L171

► SPARE PARTS



Kit description

Kit P.N.

Consisting of:

Core Kit	L171B13 Ø3	G2937301	Core pos.2 Core return spring pos.3 OR guide assembly pos.4
	L171B13 Ø4,5 - 6	G2951301	
	L171V13 Ø3	G2937303	
	L171V13 Ø4,5 - 6	G2951302	
Core return spring kit	L171B14 Ø3	G2951201	N.10 core return spring pos.3
	L171B14 Ø6	G2951401	
OR guide assembly kit	L171V14 Ø3	G2951202	N.10 OR guide assembly kit pos.4
	L171V14 Ø4,5 - 6	G2951402	
Guide pipe assembly kit	L171B13-14	GU2421000017	Guide pipe assembly pos.5 Coil clip
	L171V13-14	GU2424000017	
Coil		Z610A	Coil pos.1

► INSTALLATION

- Solenoid valve can be mounted in any position; vertical with coil upwards preferred.