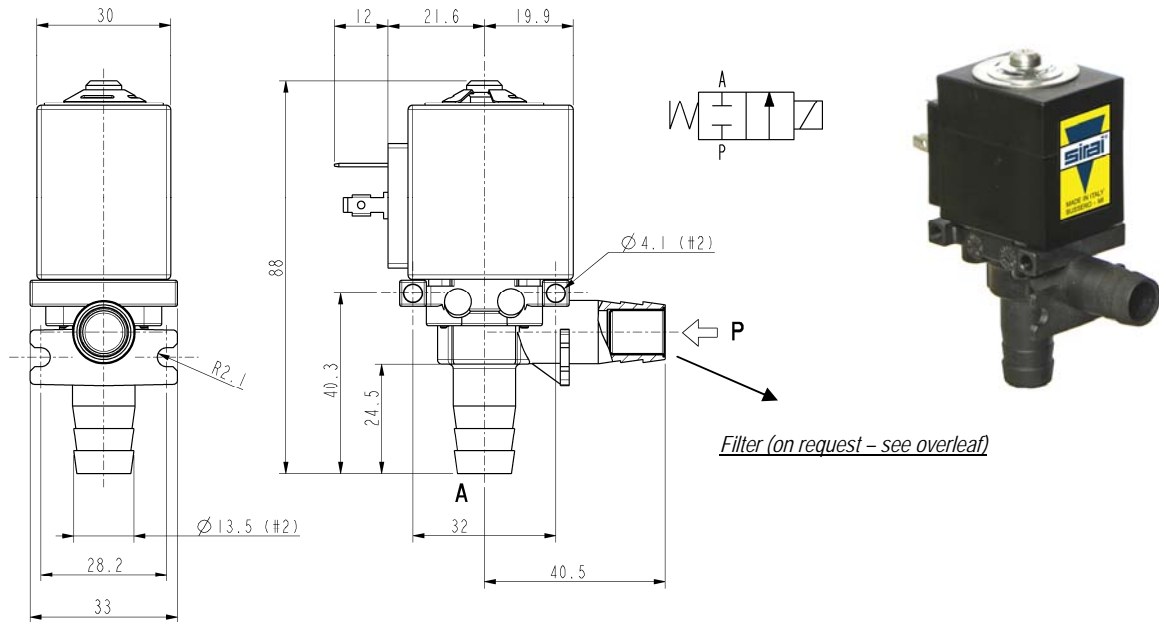




SOLENOID VALVE - DRY
2/2 - NC (Normally closed)
 Direct acting - Total isolation
 Barbed port

D136

NON STANDARD



Filter (on request – see overleaf)

► **GENERAL FEATURES**

Direct acting, total isolation solenoid valve: the actuator is totally isolated from the fluid so that the wetted parts are just the body, the diaphragm and the filter fitted on the inlet port (P) – if any. Possibility of disassembling for inspection. Particularly suitable for tanks draining. Suitable to shut off liquid fluids (verify the compatibility of fluid with materials in contact).

► **TECHNICAL FEATURES**

Maximum allowable pressure (PS) 2 bar
 Opening time ~ 40ms
 Closing time ~ 40ms
 Fluid temperature 0°C +100°C (FPM)
 -30°C +100°C (EPDM)
 Max viscosity 5°E (~37 cStokes or mm²/s)

► **MATERIALS IN CONTACT WITH FLUID**

Body PPS (Polyphenylene-sulfide) reinforced
 Sealing FPM or EPDM
 Filter (on request) Stainless steel AISI 316

► **COIL**

Continuous duty ED 100%
 Encapsulation material PET (polyethylene terephthalate) glass fibre reinforced
 Insulation class F (155°C)
 Ambient temperature -10°C +50°C
 Electric connections DIN 46340 - 3 poles connector (EN 175301-803)
 Protection degree IP 65 (EN 60529) with plug connector
 Voltages DC 12-24V (+10% -5%)
 AC 24V/50Hz - 110V/50Hz (120V/60Hz) - 230V/50Hz (+10% -15%)
 (Other voltages and frequencies on request)

Port	Orifice size (mm)	Differential pressure (bar)				Kv (m ³ /h)	Series and type		Power absorption			Sealings	Notes	Weight (kg)	
		Δp min	Δp max				Valve	Coil	AC (VA)		DC (W)				
			Gases		Liquids				Inrush	Holding					
			AC	DC	AC										DC
Barbed port	9,5	0	-	-	0,5	-	D136D01	ZA30A	23	14	-	EPDM	-	0,200	
					-	0,5		ZA32K	-	-	10				
					0,5	-		ZA30A	23	14	-				
					-	0,5		ZA32K	-	-	10				
Barbed port	9,5	0	-	-	1,6	D136V01	ZA30A	23	14	-	FPM	-	0,200		
							ZA32K	-	-	10					

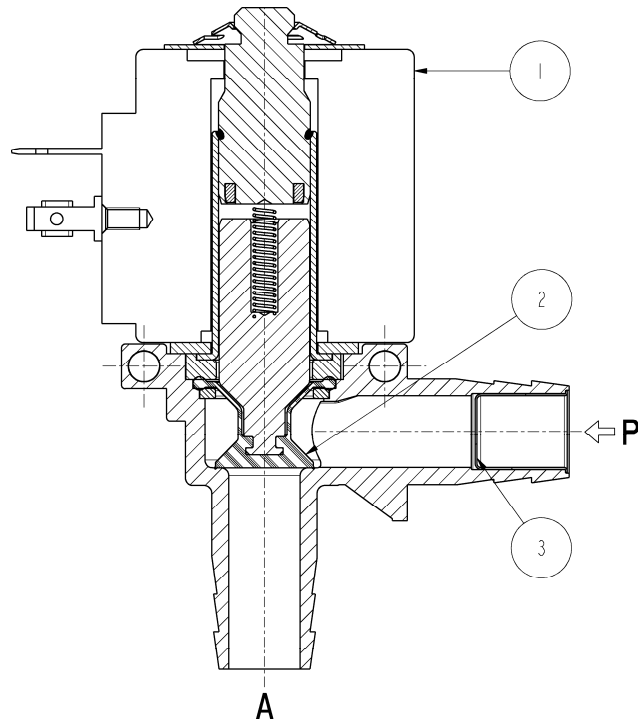
► **NOTES**

- Sealings : FPM = Fluoro-carbon elastomer EPDM = Ethylene-propylene elastomer
 - The use of filter 299554R (available on request) reduces the Kv value of 40%.

D136

NON STANDARD

► SPARE PARTS



Kit description

Diaphragm kit

D136V01
D136D01

Kit P.N.

G3142301
G3142302

Consisting of:

Diaphragm pos. 2

Filter (on request)

299554R

Strainer pos.3

Coil

ZA30A
ZA32K

Coil pos. 1

► MOUNTING

- Solenoid valve can be mounted in any position.
- In case of disassembling for usual maintenance, the fixing screws of the guide assembly have to be tightened with $0,6 \pm 0,7$ Nm torque.

THE VALIDITY OF REPORTED DATA IS REFERRED TO THE DATE OF ISSUE. POSSIBLE UPDATES ARE AVAILABLE ON REQUEST.