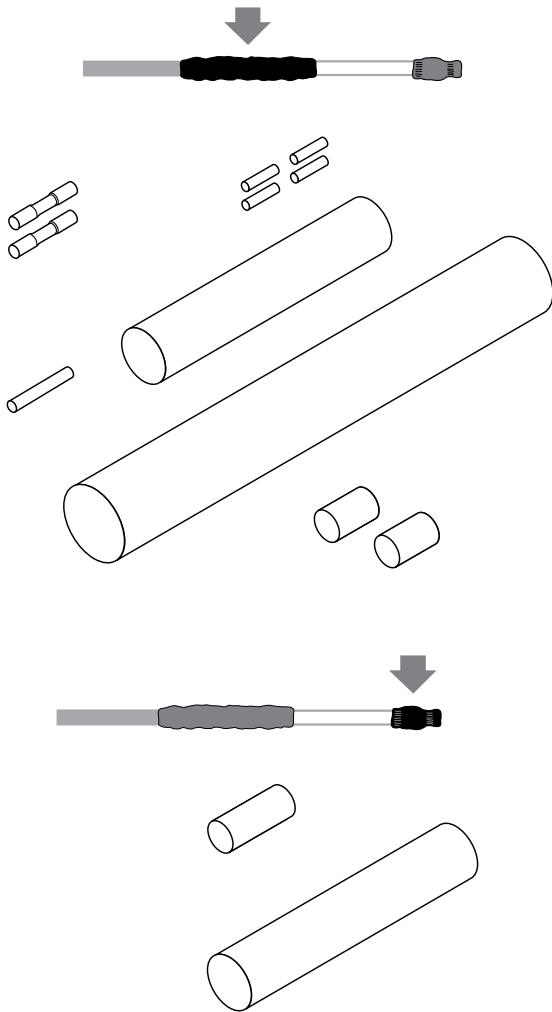


## COLD LEAD/SPLICE CONNECTION AND END SEAL KIT



The nVent RAYCHEM CSE-05-DR kit combines the following:

- in-line connection of a BSA heating cable to a flexible power cable, or in-line joining of 2 BSA heating cables, and
- end termination of the BSA heating cable.

This kit is designed for use in ordinary area (non hazardous).

It employs easy to use heat-shrinkable tubing with an adhesive, that when heated forms a semi-flexible moisture proof encapsulation.

Electrical continuation is maintained via crimps for the conductors and another crimp connection for the drainwire of the heating cable.

Due to its low profile design the finished power or splice connection and end seal can be installed under the insulation, directly on the pipe.

### APPLICATION

In-line cold lead/splice connection and end seal kit for BSA heating cable in ordinary area

### KIT CONTENTS

Heat-shrinkable adhesive coated sleeves, insulation sleeves, crimps and installation instruction

## PRODUCT SPECIFICATIONS

---

Max. exposure temperature during operation	85°C
Maximum current rating	32 A
Dielectric strength	1.3 – 3.5 MV/m
Volume resistivity	10 <sup>12</sup> Ω cm
Final dimensions	length approx. 200 mm
Minimum Installation Temperature	-10°C

## INSTALLATION DETAILS

---

Heat shrinkable tubing	125°C
Gas torch or equivalent	min. 1460 W hot air gun

## ORDERING DETAILS

---

Part description	CSE-05-DR
PN (Weight)	1244-021440 (0.05 kg)

### North America

Tel +1.800.545.6258  
Fax +1.800.527.5703  
thermal.info@nvent.com

### Europe, Middle East, Africa

Tel +32.16.213.511  
Fax +32.16.213.604  
thermal.info@nvent.com

### Asia Pacific

Tel +86.21.2412.1688  
Fax +86.21.5426.3167  
cn.thermal.info@nvent.com

### Latin America

Tel +1.713.868.4800  
Fax +1.713.868.2333  
thermal.info@nvent.com



[nVent.com](http://nVent.com)

Our powerful portfolio of brands:

**CADDY ERICO HOFFMAN RAYCHEM SCHROFF TRACER**