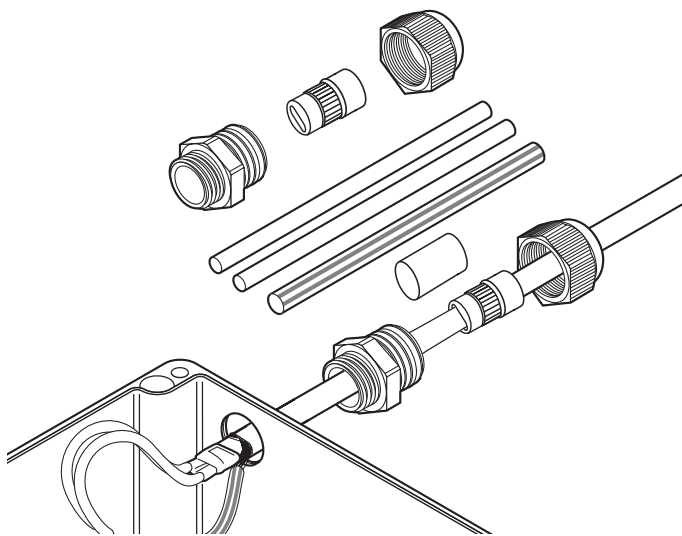


Heat-Shrink Connection Kit

DESCRIPTION



This connection kit is designed for connecting all nVent RAYCHEM BSA and BTV-CR industrial parallel heating cables to a junction box in ordinary (non-hazardous) area applications, whilst maintaining electrical insulation of the heating cable conductors and core.

The sealing of the heating cable core is provided by heat-shrinkable sleeves. The grommet supplied in this kit enables the gland to maintain optimum sealing under various ambient conditions.

APPLICATION

Connection kit for BSA and BTV-CR parallel heating cables in ordinary (non-hazardous) area

KIT CONTENTS

- 1 gland with grommet
- 1 green/yellow tube and heat-shrinkable sleeves for core sealing
- 1 installation instruction (multilingual)

APPROVALS



Products are in compliance with IEC/EN 62395-1:2013
DNV-GL TAE00003ES

PRODUCT SPECIFICATION

Type	Heat-shrinkable
Thread size	M25 x 1.5
Min. ambient temperature	-20°C
Max. exposure temperature (gland)	100°C
IP ingress protection rating	IP66

ORDERING DETAILS

Part description	C25-01
PN (Weight)	1244-020909 (0.06 kg)

North America

Tel +1.800.545.6258
Fax +1.800.527.5703
thermal.info@nVent.com

Europe, Middle East, Africa

Tel +32.16.213.502
Fax +32.16.213.604
thermal.info@nVent.com

Asia Pacific

Tel +86.21.2412.1688
Fax +86.21.5426.3167
cn.thermal.info@nVent.com

Latin America

Tel +1.713.868.4800
Fax +1.713.868.2333
thermal.info@nVent.com



Our powerful portfolio of brands:

CADDY ERICO HOFFMAN RAYCHEM SCHROFF TRACER