



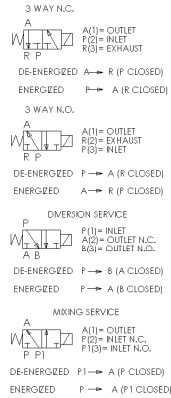
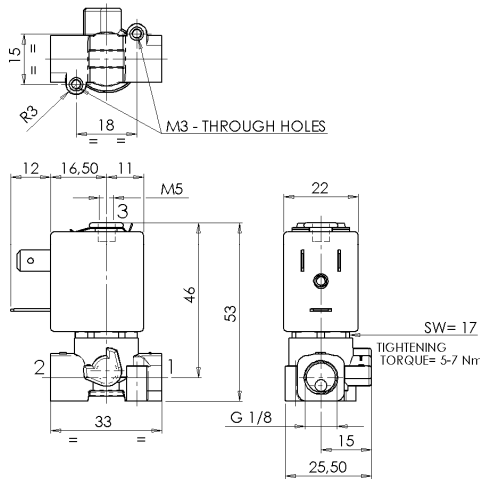
SOLENOID VALVE

3/2- NC - NO - US (Universal service)

Direct acting

G 1/8

L372



► GENERAL FEATURES

Direct acting solenoid valve.
Available also integrated on manifold (2+10 actuators), see the technical data sheet L872.
Suitable to shut off liquid and gaseous fluids (verify the compatibility of fluid with material in contact)

► TECHNICAL FEATURES

Maximum allowable pressure (PS) 50bar
Opening time ~10ms
Closing time ~10ms
Fluid temperature 0°C +130°C
Max viscosity 5°E (~37 cStokes or mm²/s)

► MATERIALS IN CONTACT WITH FLUID

Body Brass Seat Brass
Sealing FPM Core tube Stainless steel
Internal components Stainless steel Shading coil Copper

► COIL

Approval
Encapsulation material
Insulation class
Ambient temperature
Continuous duty
Electric connection
Protection degree
Voltages DC
AC

ZB10A	ZB12A	ZB14A
/	UL and CSA	UL and CSA
PA fiberglass reinforced	PET fiberglass reinforced	PET fiberglass reinforced
F (155°C) -10°C +60°C	F (155°C) -10°C +60°C	H (180°C) -10°C +75°C
ED 100%		
DIN 46340 - 3 poles plug connector		
IP 65 (EN 60529) with plug connector	IP 67 (EN 60529) with plug connector	IP 67 (EN 60529) with plug connector
12-24V (+10% -5%)		
24V/50-60Hz - 115V/50Hz - 230V/50-60Hz (+10% -15%)		
(Other voltages and frequencies on request).		

Port size ISO 228	Orifice size (mm)		Δp min	Differential pressure (bar)				Kv (m ³ /h)		Series and type		Power absorption				Sealings	Notes	Weight (kg)
				Δp max				1↔2	1↔3	Valve	Coil	AC (VA)		DC				
				Gases		Liquids						Inrush	Holding		VA			
NC - Normally closed																		
G 1/8	1,2	1,2	0	15	15	15	15	0,05	0,05	L372V03C	ZB10A ZB12A	12	6	4	5,5	FPM	1	0,155
	1,6	1,2		10	10	10	10	0,08	0,05									
	2	1,2		5	5	5	5	0,1	0,05									
	2,4	1,2		4	4	4	4	0,13	0,05									
NO - Normally open																		
G 1/8	1,6	1,2	0	8,5	8,5	8,5	8,5	0,08	0,05	L372V03A	ZB10A ZB12A	12	6	4	5,5	FPM	1	0,155
US -Universal service																		
G 1/8	1,2	1,2	0	7	7	7	7	0,05	0,05	L372V03G	ZB10A ZB12A	12	6	4	5,5	FPM	1	0,155
	1,6	1,2		4,5	4,5	4,5	4,5	0,08	0,05									
	2	1,2		3	3	3	3	0,1	0,05									
	2,4	1,2		2	2	2	2	0,13	0,05									

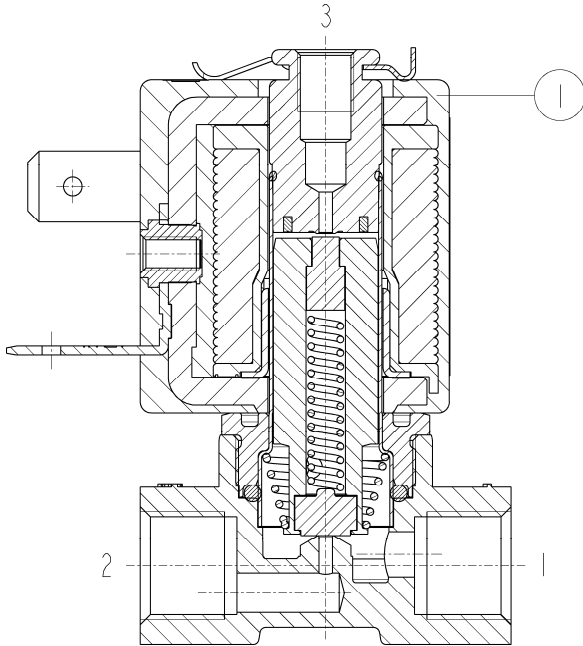
► NOTES

- Sealings: FPM = Fluoro-carbon elastomer
- On request: - version with manual override: L372V01
- sealings in EPDM (Ethylene-propylene elastomer): L372D03
- body valve in stainless steel AISI 316: L372V07
- body valve with special surface treatments
- coil in class H (ZB14A - see § "COIL")
- grease/oil free versions

1 - ZB12 and ZB14 coils fitted with sealing gaskets underneath and on the upper part (see sectional view on the back)

► SPARE PARTS

WITH ZB10A COIL



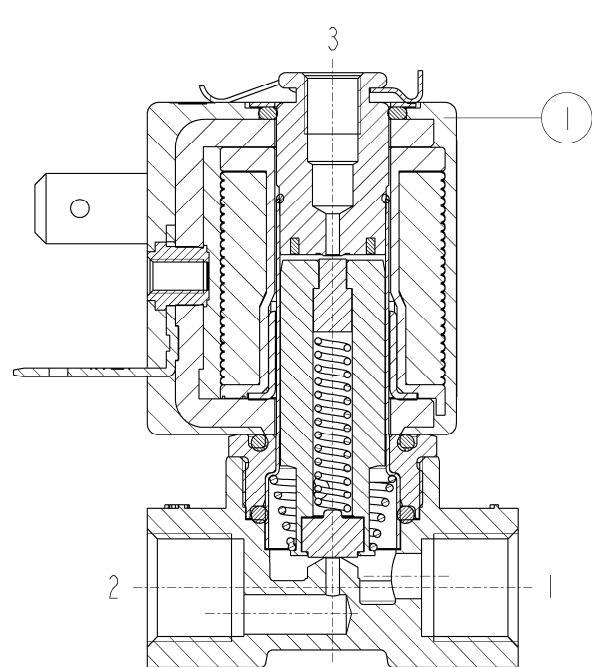
Kit description

Coil

Kit P.N.

ZB10A
ZB12A
ZB14A

WITH ZB12A – ZB14A



Consisting of:

Coil pos.1

► INSTALLATION

- Solenoid valve can be mounted in any position; vertical with coil upwards preferred.